

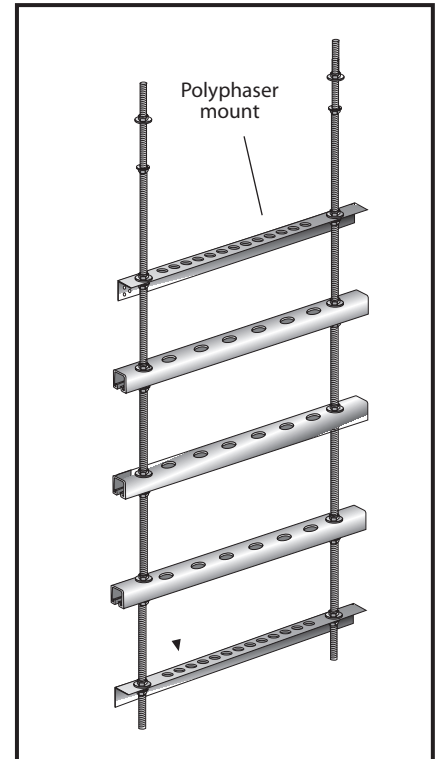


#2162-2-2 Stainless Steel Angle Polyphaser Mount Kit for Trapeze - Assembly Instructions

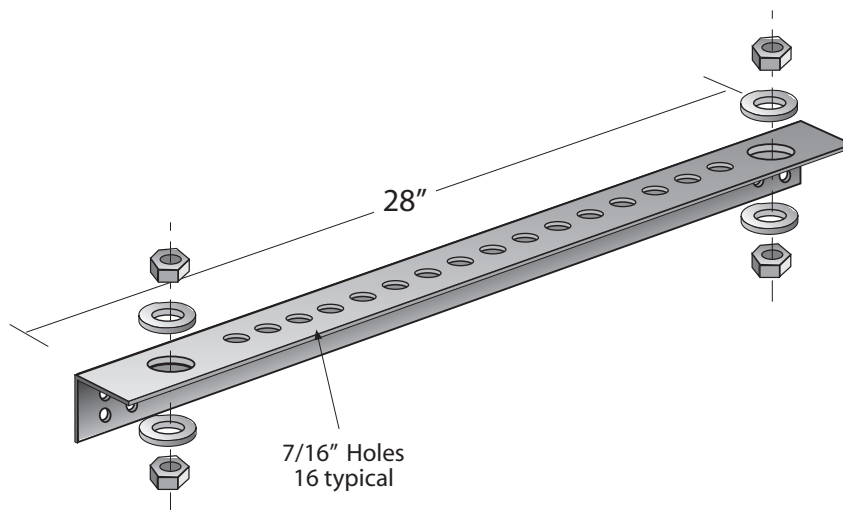
BEFORE ASSEMBLY, review the detailed diagram to familiarize yourself with each part.

Step-by-Step Instructions for assembling Equipment Rack

1. Add nuts and washers to the all thread as shown.
2. Slide the mount over the all-thread and tighten nuts. .
3. Tighten bolts.
4. Space strut per contractor's specifications for equipment.



Typical Application



Rev. 1/29/01

Series 2100 • Tower Components

Tower Components • Lightning Protection • Grounding Components
Transient Voltage Surge Suppression